

**GENERAL NOTES - SITEWORK (MIN. REQUIREMENTS)**

- SITE PREPARATION BENEATH THE SLAB SHALL BE IN ACCORDANCE WITH THE SOIL REPORT RECOMMENDATIONS AND SHALL MEET THE FOLLOWING MINIMUM REQUIREMENTS:
  - STRIP ALL VEGETATION DOWN TO A NATURAL SOIL. REMOVE ALL TREES WITHIN TEN FEET OF THE FOUNDATION.
  - PROOF-ROLL EXPOSED SUBGRADE BACKFILL AND COMPACT TREE-HOLES OR SOFT POCKETS WITH MATERIAL SIMILAR TO THE SITE MATERIALS.
  - BRING SUBGRADE TO REQUIRED ELEVATION WITH SELECT FILL MATERIAL. SELECT FILL SHOULD BE SANDY CLAY OR CLAYEY SAND, FREE OF ORGANIC MATERIAL, HAVING A PLASTICITY INDEX GREATER THAN 10 BUT LESS THAN 20.
  - FILL SHALL BE PLACED IN MAXIMUM 8" LIFTS AND COMPACTED TO 95% OF ITS MAXIMUM DRY DENSITY AS DETERMINED BY ASTM D698 (STANDARD PROCTOR) WHERE LARGE DEPTHS OF FILL OCCUR. FIELD DENSITY TESTS ARE REQUIRED FOR EACH LIFT LOCATED AT OR BELOW THE BOTTOM OF GRADE BEAMS.
- THE 4 INCH LEVELING BED SHALL BE FIRM, STABLE BANK SAND OR OTHER CLEAN GRANULAR MATERIAL.
- INITIAL SITE GRADING SHALL BE COMPLETED PRIOR TO SETTING FORMS. FINAL GRADE SHALL SLOPE AWAY FROM THE FOUNDATION 1 INCH/FOOT FOR THE FIRST 5 FEET SUCH THAT POSITIVE DRAINAGE AWAY FROM THE SLAB IS ASSURED.
- IF A SOIL REPORT CONTAINS FOUNDATION DESIGN RECOMMENDATIONS WAS SUPPLIED FOR THIS PROJECT, THE SOIL REPORT SHALL CONTROL IF A CONFLICT OCCURS BETWEEN THESE MINIMUM REQUIREMENTS AND THE SOILS ENGINEER'S RECOMMENDATIONS.

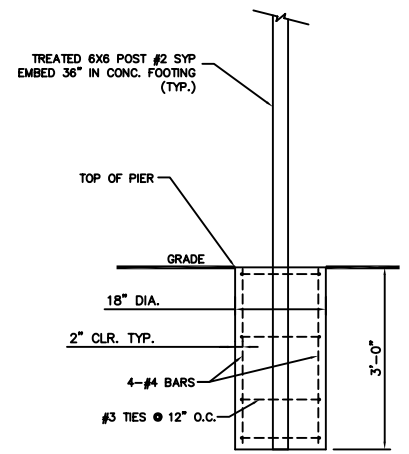
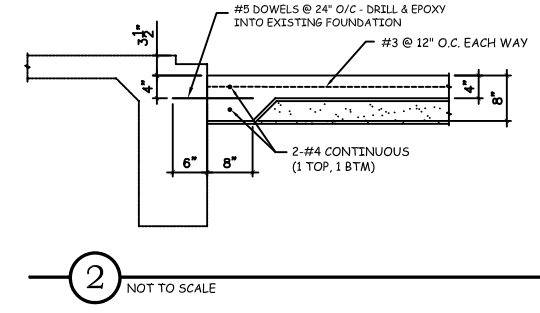
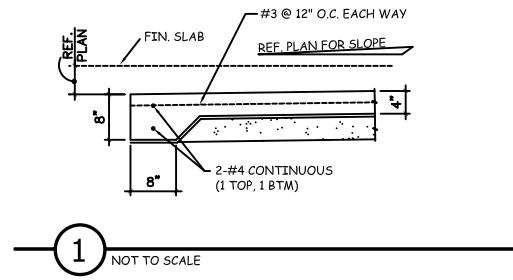
**GENERAL NOTES - REINFORCING STEEL**

- REINFORCING STEEL SHALL BE ASTM A615 GRADE 60 WITH DEFORMATIONS PER ASTM A305, EXCEPT THAT #3 BARS MAY BE GRADE 40. REINFORCING SHALL BE DETAILED AND INSTALLED PER ACI 318 LATEST EDITION. REINFORCING STEEL SHALL BE GRADE MARKED.
- MINIMUM REINFORCING STEEL COVERAGE SHALL BE AS FOLLOWS:
 

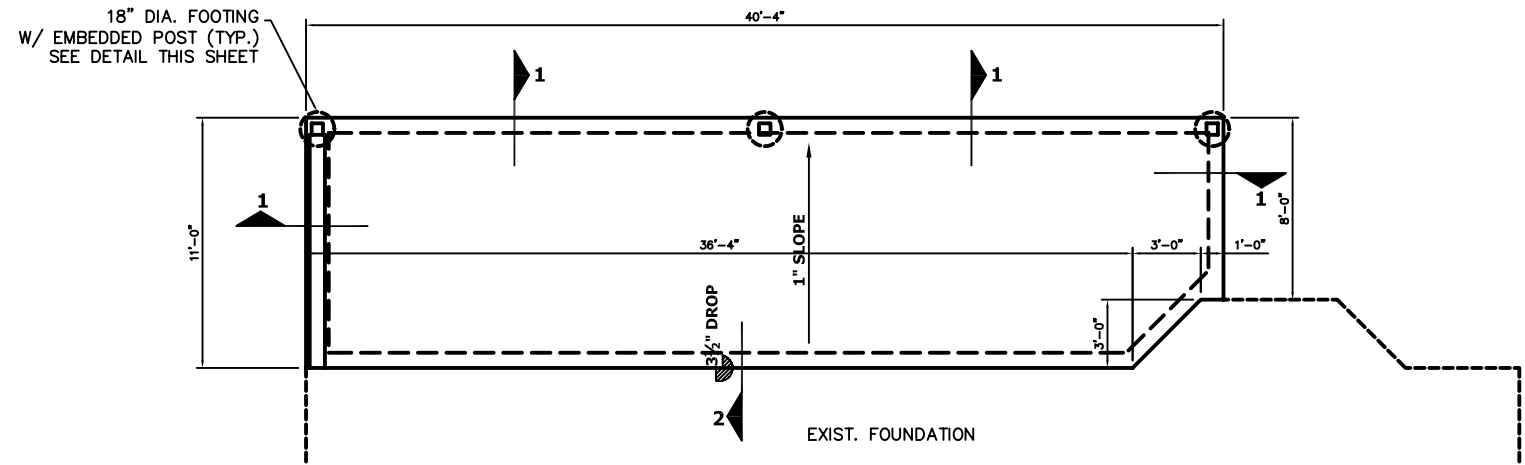
|                |                           |
|----------------|---------------------------|
| SLAB-ON-GROUND | 3" FROM EARTH             |
| GRADE BEAMS    | 3" BOTTOM, TOP, AND SIDES |
- WHERE FIELD SPLICES IN THE CONTINUOUS REINFORCING OCCUR, BARS SHALL BE LAPPED A DISTANCE OF 30 TIMES THE BAR DIAMETER.
- PROVIDE CORNER BARS TO MATCH THE HORIZONTAL STEEL FROM THE INTERSECTING INTERIOR AND EXTERIOR BEAMS OR BEND CONTINUOUS REINFORCING STEEL AROUND CORNERS AND OVERLAP SPLICES 30 BAR DIAMETERS.
- AT ALL RE-ENTRANT CORNERS PLACE 2 #5 X 6'-0" IN THE SLAB.
- ANCHOR BOLTS SHALL BE OF A307 MATERIAL AND SHALL HAVE A STANDARD 90° HOOK.

**GENERAL NOTES - CONCRETE**

- CONCRETE SHALL BE SUPPLIED AND CONSTRUCTED IN ACCORDANCE WITH ACI 318 LATEST EDITION AND SHALL HAVE A MINIMUM 28 DAY COMPRESSIVE STRENGTH OF 3000 PSI.
- WATER SHALL NOT BE ADDED TO CONCRETE AT THE JOBSITE UNLESS APPROVED BY THE ENGINEER. IF MORE WORKABILITY IS NEEDED, CONTRACTOR SHALL SPECIFY REQUIRED SLUMP ON JOB ORDER. CONCRETE PLANT CAN INCREASE WORKABILITY BY ADDING UP TO 5% AIR ENTRAINMENT, ADDITIONAL CEMENT, OR OTHER APPROVED ADMIXTURES.
- WHERE FLYASH IS USED, ONLY TYPE C FLYASH SHALL BE ACCEPTED.
- CONCRETE SHALL NOT BE PLACED AT TEMPERATURES BELOW 40° F. IN RAINY WEATHER, OR IN OTHER ADVERSE WEATHER CONDITIONS.
- A 6 MIL POLYETHYLENE VAPOR BARRIER SHALL BE PLACED UNDER ALL SLABS. ALL LAPS SHALL BE TAPED.
- FORMS TO BE STRIPPED NO LESS THAN 24 HOURS AND NO MORE THAN 6 DAYS AFTER PLACEMENT OF CONCRETE.
- CURE ALL SLABS WITH A CHEMICAL CURING COMPOUND OR KEEP MOIST FOR 7 DAYS AFTER PLACEMENT.
- BUILDER SHALL VERIFY ALL DIMENSIONS, DROPS, OFFSETS, BRICKLEDGES, INSERTS AND OPENINGS WITH ARCHITECTURAL DRAWINGS.



**COLUMN FOOTING SECTION**  
NOT TO SCALE



NOTE: SEE ARCHITECTURAL PLANS FOR DIMENSIONS NOT SHOWN.

**FOUNDATION PLAN**  
SCALE: 1/4" = 1'-0"

**OUTDOOR HOMESCAPES**  
**103 SOUTH WYCKHAM CIRCLE - PORCH ADDITION**  
**LOT 2, BLOCK 2, VILLAGE OF STERLING RIDGE 63**  
**THE WOODLANDS, TEXAS 77382**



**S1**

REV: 0  
DATE: 02 / 04 / 11

**Hendricks Engineers, Inc.**  
16000 STUEBNER AIRLINE #400  
SPRING, TEXAS 77379  
PHONE: (281) 374-8755 FAX: (281) 374-8058  
TEXAS ENGINEERING FIRM REGISTRATION #F-002414